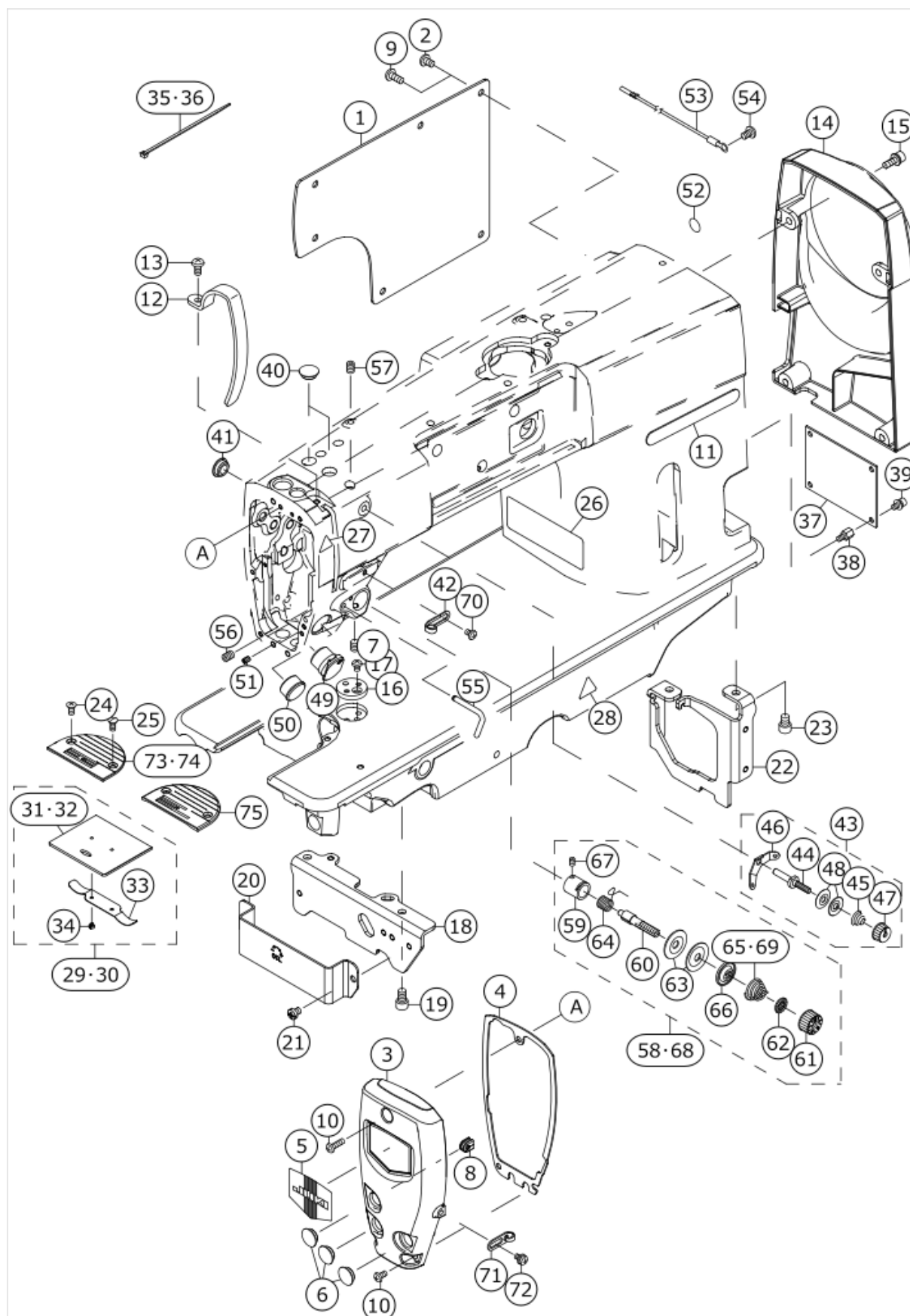


DDL-9000C-S

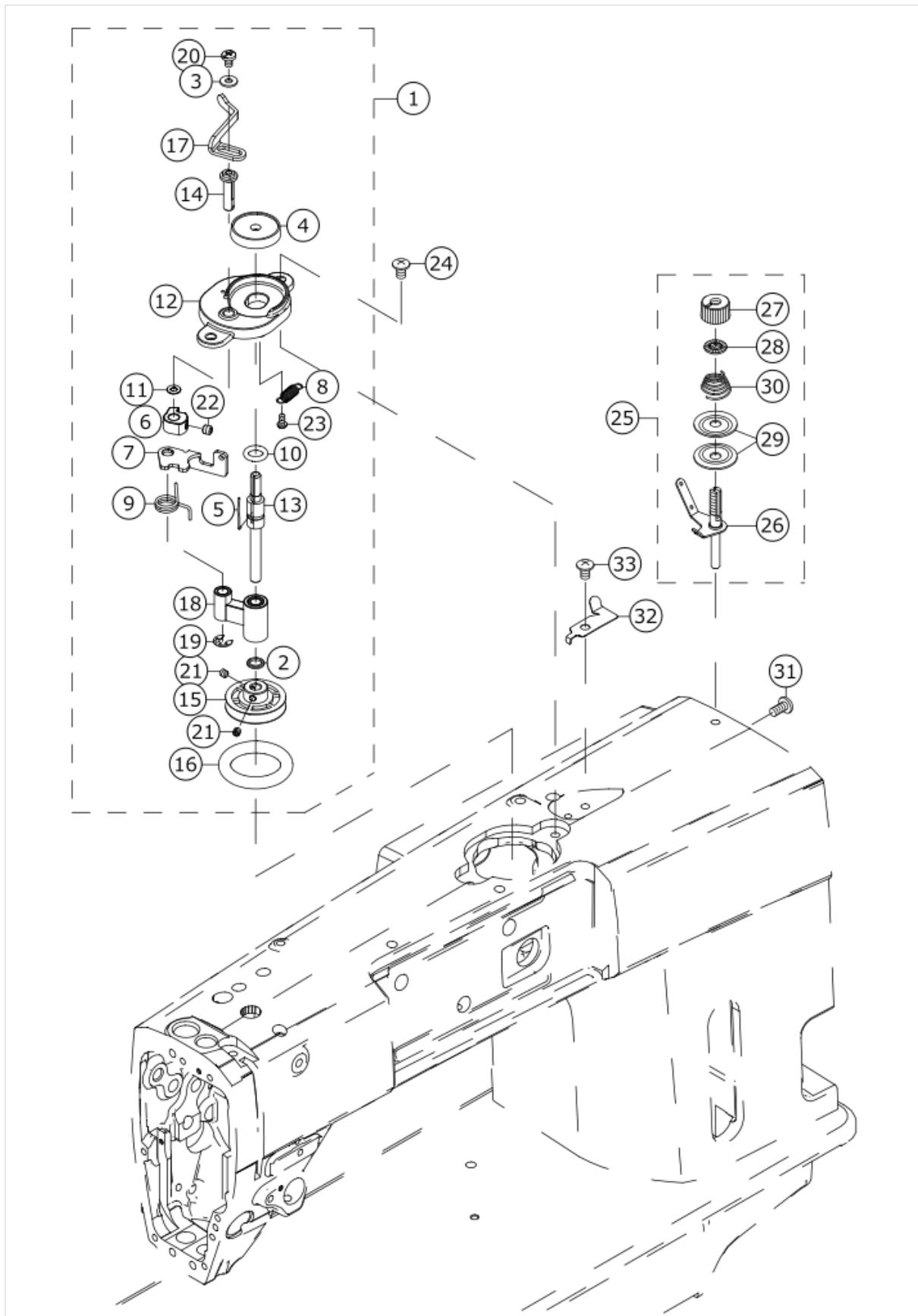
MACHINE FRAME & MISCELLANEOUS COVER COMPONENTS



No.	品番	品名	備考	子部品	消耗品	個数
1	40172362	SIDE_PLATE				1.00
2	SM4050855SP	SCREW				6.00
3	40172371	FACE_COVER				1.00
4	40172373	FACE_COVER_PACKING				1.00
5	40172374	FACE_COVER_PLATE				1.00
6	TA1250406R0	RUBBER PLUG D=12.5 L=4				3.00
7	SM80608A2TP	SCREW M6 L=8				1.00
8	40174368	FACE_COVER_RUBBER				1.00
9	SM4051255SP	SCREW M5 L=12	FOR AK-154			6.00
10	SM4041455SN	SCREW M4 L=14				3.00
11	40172375	EMBLEM_JUKI_SMART_SOLUTIONS				1.00
12	40172376	THREAD_TAKE_UP_COVER				1.00
13	SM4051055SP	SCREW				1.00
14	40172366	PULLEY_COVER				1.00
15	SL6051492TN	BOLT				4.00
16	40035589	RULER_PLATE				1.00
17	SM4040855SP	SCREW				1.00
18	40172391	BED_BRACKET_A				1.00
19	SM6060802TP	SCREW M6 L=8				2.00
20	40174305	SAFETY_GUIDE				1.00
21	SM4050855SP	SCREW				2.00
22	40172392	BED_BRACKET_B				1.00
23	SM6060802TP	SCREW M6 L=8				2.00
24	SM2040955TP	SCREW M4 L=8.5				1.00
25	SM2040750TP	SCREW M4 L=7.4				1.00
26	40102261	SAFETY_LABEL_S				1.00
27	CM300200001	FINGER INJURY CAUTION LABLE (16)				1.00
28	CM300200003	FINGER INJURY CAUTION LABLE (31.5)				1.00
29	40172369	SLIDE_PLATE_B_ASM				1.00
30	40172367	SLIDE_PLATE_A_ASM	FOR S_EE			1.00
31	40172370	SLIDE_PLATE_B		*		1.00
32	40172368	SLIDE_PLATE_A		*		1.00
33	22901300	SLIDE PLATE SPRING		*		1.00
34	SS6060210SP	SCREW 3/32-56 L=1.9		*		2.00
35	KX000000230	RELEASIBLE CABLE TIE				1.00
36	EA9500B0100	CABLE BAND				7.00
37	40172390	INT PCB ASSY				1.00
38	40188608	SPACER				4.00
39	SL6040892TN	BOLT				4.00
40	TA1250406R0	RUBBER PLUG D=12.5 L=4				2.00
41	TA1250406R0	RUBBER PLUG D=12.5 L=4				1.00
42	23626104	ARM THREAD GUIDE A				1.00
43	22963458	THREAD TENSION ASM.				1.00
44	22945414	THREAD TENSION POST		*		1.00
45	22963409	THREAD TENSION SPRING		*		1.00
46	22945604	THREAD TENSION GUIDE		*		1.00
47	22945703	THREAD TENSION NUT		*		1.00
48	22945802	THREAD TENSION DISK		*		2.00
49	40174373	THREAD NIPPER SOLENOID	FOR NB			1.00
50	40174392	ARM_CAP	FOR 0B			1.00

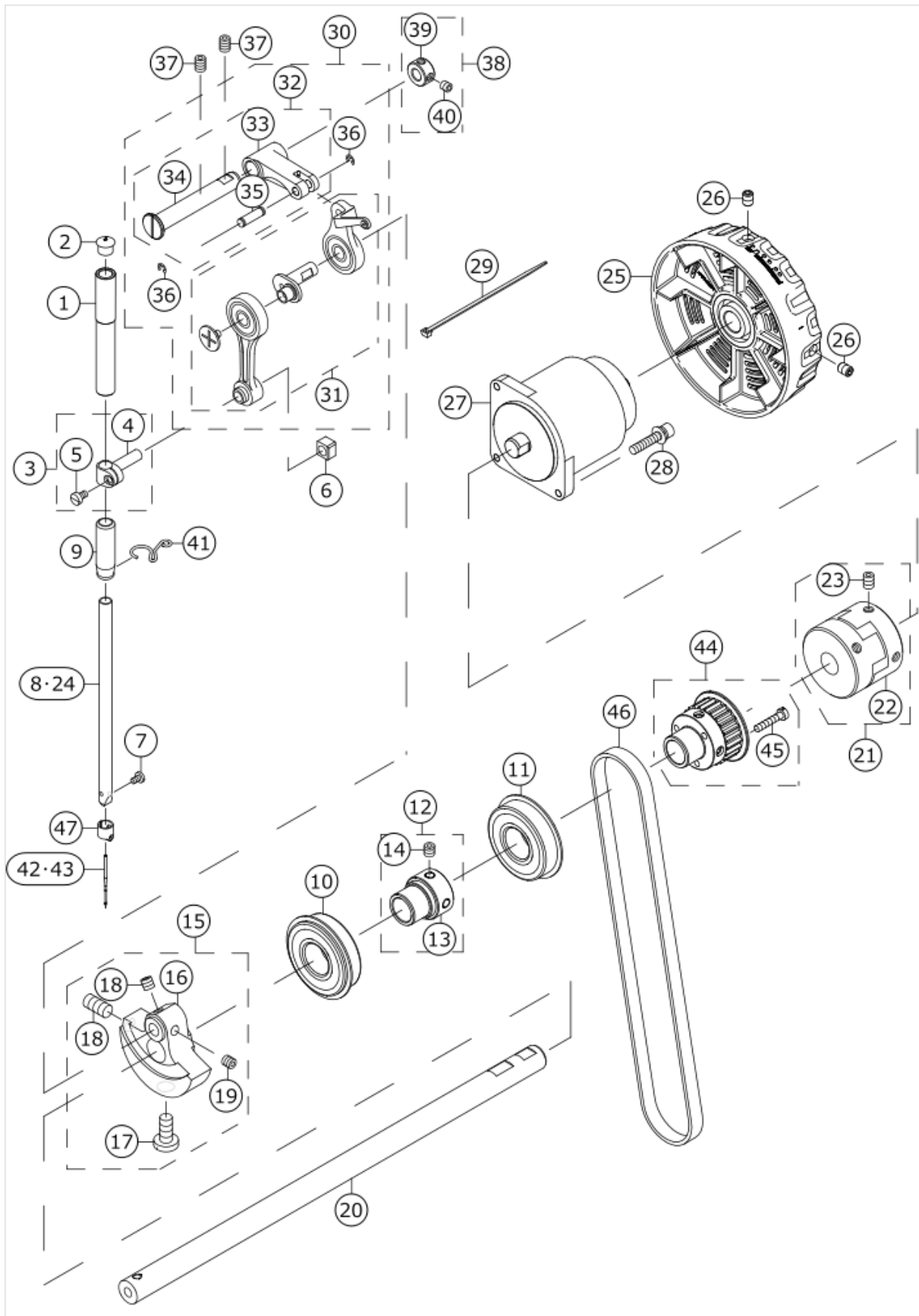
51	SM8040612TP	SCREW M4 L=6				1.00
52	22901805	GROUND MARK				1.00
53	40174385	GROUND WIRE ASM.				1.00
54	SM4050655SP	SCREW M5 L=6				1.00
55	40052933	ARM THREAD GUIDE C				1.00
56	SM80608A2TP	SCREW M6 L=8				1.00
57	SM80608A2TP	SCREW M6 L=8				1.00
58	40174575	THREAD_TENSION_DISK_ASM.				1.00
59	40086640	TENSION_POST_SOCKET_ASM.		*		1.00
60	22921209	THREAD TENSION POST		*		1.00
61	23626005	THREAD TENSION NUT		*		1.00
62	22921407	ROTATION STOPPER		*		1.00
63	22921506	THREAD TENSION DISK		*		2.00
64	22921605	THREAD TAKE-UP SPRING		*		1.00
65	40112420	THREAD TENSION SPRING M		*		1.00
66	22921803	DISK STOPPER		*		1.00
67	SS8090670SP	SCREW 9/64-40 L=5.5		*		1.00
68	40086639	THREAD_TENSION_DISK_ASM.	FOR S_EE			1.00
69	22921704	THREAD TENSION SPRING	FOR S_EE	*		1.00
70	SM5040655SN	SCREW				1.00
71	40009037	TAKE-UP THREAD GUIDE				1.00
72	SL4040881SC	SCREW M4 L=8				1.00
73	40182291	THROAT_PLATE_G	FOR S_GG			1.00
74	B1109012I0B	THROAT PLATE (I)	FOR S_AA			1.00
75	11028008	THROAT PLATE	FOR S_EE			1.00

BOBBIN WINDER COMPONENTS



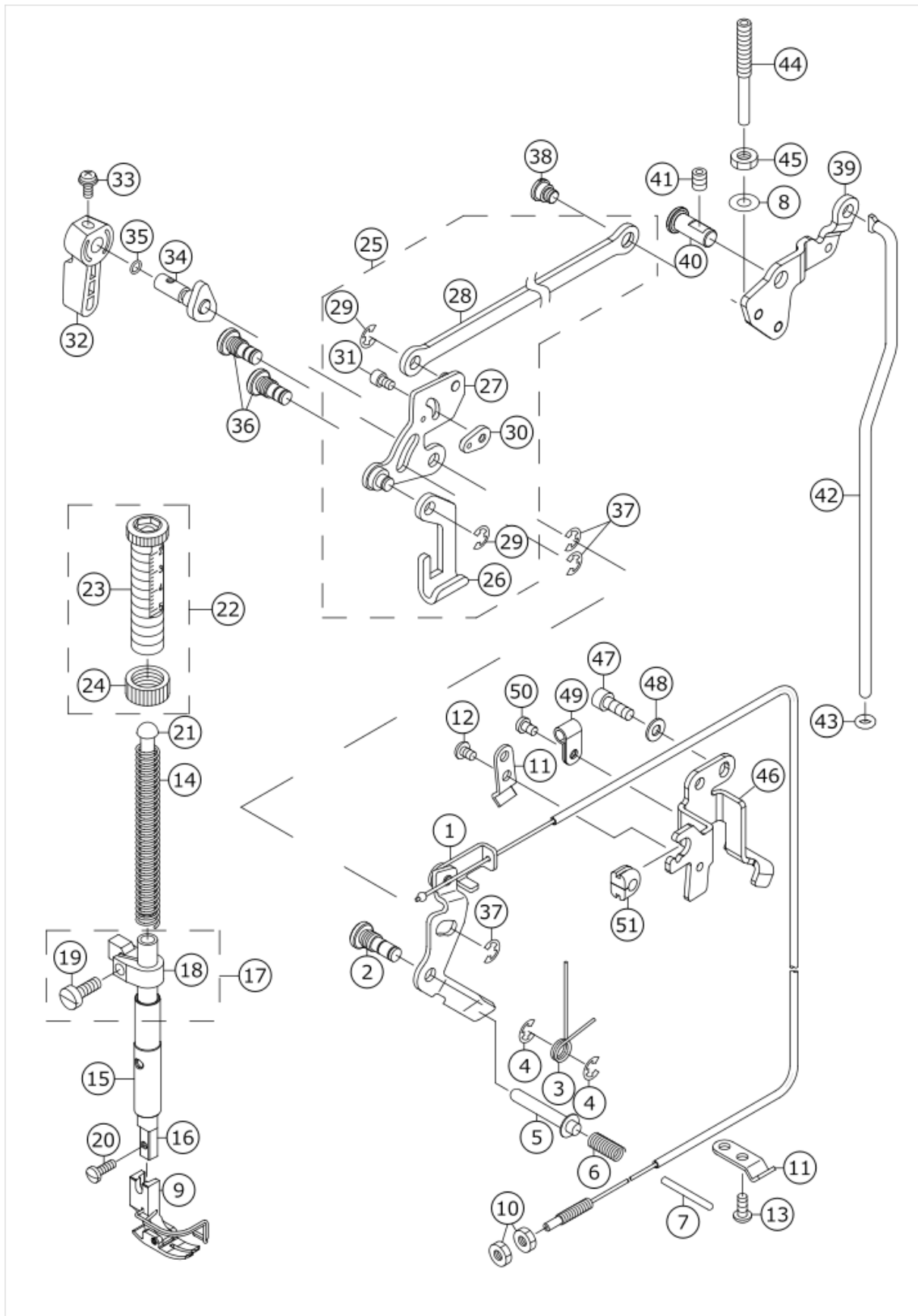
No.	品番	品名	備考	子部品	消耗品	個数
1	40191107	BOBBIN_WINDER_UNIT_N				1.00
2	22891204	BEARING_SUPPORT		*		1.00
3	40166870	WASHER		*		1.00
4	40166872	BOBBIN_SUPPORT		*		1.00
5	40166881	BOBBIN_FIXED_SPRING		*		1.00
6	40166885	BOBBIN_PRESSER_CAM		*		1.00
7	40166886	BOBBIN_WINDER_LEVER		*		1.00
8	40166887	BOBBIN_WINDER_LEVER_SPRING		*		1.00
9	40166888	SPRING		*		1.00
10	40166893	STOPPER_RUBBER		*		1.00
11	40166894	O_RING		*		1.00
12	40191108	BTW_BASE_N		*		1.00
13	40191109	BOBBIN_WINDER_SHAFT_N		*		1.00
14	40191111	BOBBIN_WINDER_ARM_SHAFT_N		*		1.00
15	40191113	BOBBIN_WINDER_WHEEL_N		*		1.00
16	40191114	BTW_WHEEL_RUBBER_N		*		1.00
17	40191115	BOBBIN_PRESSER_N		*		1.00
18	40191116	BOBBIN_WINDER_SUPPORT_N_ASM		*		1.00
19	RE0500000K0	E-RING		*		1.00
20	SM5040655SN	SCREW		*		1.00
21	SM8040412TP	SET SCREW M4 L=4		*		2.00
22	SM8050502TP	SCREW M5 L=5		*		1.00
23	ST4030651SN	SCREW M3 X 6		*		1.00
24	SM0050801SC	SCREW				2.00
25	40088958	BOBBIN_THREAD_TENSION_ASM.				1.00
26	40088959	BOBBIN_THREAD_TENSION_ROD_ASM.		*		1.00
27	22921308	THREAD_TENSION_NUT		*		1.00
28	22921407	ROTATION_STOPPER		*		1.00
29	22921506	THREAD_TENSION_DISK		*		2.00
30	22921704	THREAD_TENSION_SPRING		*		1.00
31	SM4051055SP	SCREW				1.00
32	40037008	THREAD_CUTTER				1.00
33	SM0050801SC	SCREW				1.00

MAIN SHAFT & NEEDLE BAR COMPONENTS



No.	品番	品名	備考	子部品	消耗品	個数
1	40172399	NEEDLE_BAR_BUSHING_UPPER				1.00
2	22901409	NEEDLE BAR UPPER BUSH CAP				1.00
3	22906457	NEEDLE BAR HOLDER ASM.				1.00
4	22906408	NEEDLE ROD HOLDER		*		1.00
5	SS6090670TP	SCREW 9/64-40 L=6		*		1.00
6	40090058	SLIDE BLOCK				1.00
7	SS7080510TP	SCREW 1/8-44 L=4.5				1.00
8	40086602	NEEDLE_BAR_D_(A)	FOR GG/EE/AA			1.00
9	40086605	NEEDLE_BAR_LOWER_METAL_MD				1.00
10	SB120002700	BEARING				1.00
11	SB120002700	BEARING				1.00
12	40044857	FRONT BEARING SUPPORT ASM.				1.00
13	23605207	MAIN SHAFT BEARING SUPPORT		*		1.00
14	SM80608A2TP	SCREW M6 L=8		*		2.00
15	40135904	ASSY_COUNTER WEIGHT				1.00
16	40135916	COUNTER WEIGHT		*		1.00
17	40004171	COUNTER_WEIGHT_SCREW		*		1.00
18	SM8081652TP	SCREW M8 L=16		*		1.00
19	SM80606A2TP	SCREW M6 L=6		*		2.00
20	40086597	MAIN_SHAFT				1.00
21	40172398	COUPLING_ASM.				1.00
22	40172393	COUPLING		*		1.00
23	SM80608A2TP	SCREW M6 L=8		*		4.00
24	40086604	NEEDLE_BAR_D_(B)	FOR BB			1.00
25	40229033	HAND_WHEEL				1.00
26	SM80608A2TP	SCREW M6 L=8				2.00
27	40172146	AC_SERVO_MOTOR				1.00
28	SL6052592TN	BOLT				3.00
29	EA9500B0100	CABLE BAND				2.00
30	40174341	THREAD_TAKE_UP_COMP.				1.00
31	40135905	THREAD_TAKE_UP_ASM_C		*		1.00
32	40174342	TAKE_UP_CRANK_ASM.		*		1.00
33	40174343	TAKE_UP_CRANK		*		1.00
34	40174344	TAKE_UP_CRANK_SHAFT		*		1.00
35	40135907	THREAD_TAKE_UP_PIN		*		1.00
36	RE0300000K0	E-RING 3		*		2.00
37	SM80608A2TP	SCREW M6 L=8				2.00
38	40032269	THRUST COLLAR				1.00
39	CS1000881TP	THRUST COLLAR		*		1.00
40	SM80506A2TP	SCREW M5 L=6		*		2.00
41	40174349	NEEDLE BAR THREAD GUIDE				1.00
42	MDB100B1100	NEEDLE DBX1 #11				1.00
43	MDB100B1400	NEEDLE DBX1 #14	FOR S_GG			1.00
44	40141440	UPPER SPROCKET ASM.				1.00
45	SM6042000SP	SCREW		*		3.00
46	40149791	TIMING_BELT				1.00
47	22906309	NEEDLE BAR THREAD GUIDE				1.00

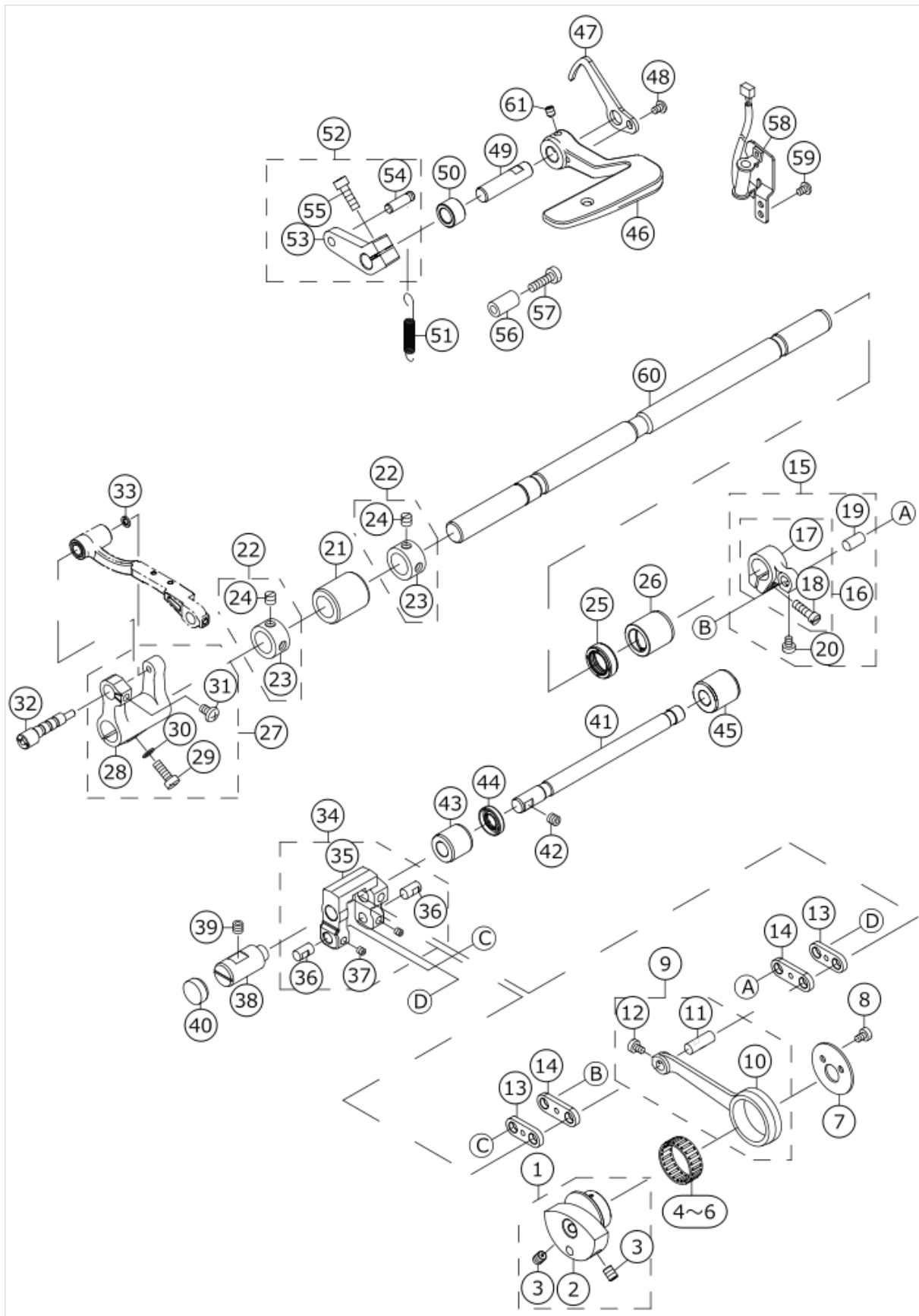
HAND LIFTER & TENSION RELEASE COMPONENTS



No.	品番	品名	備考	子部品	消耗品	個数
1	40174389	TENSION_RELEASE_WIRE_ASM.				1.00
2	40050582	TENSION RELEASE SHAFT				1.00
3	23626807	TENSION RELEASE RETURN SPRING				1.00
4	RE0500000K0	E-RING				2.00
5	22920300	THREAD RELEASE SUPPORTING PIN				1.00
6	22920409	THREAD RELEASE PIN SPRING				1.00
7	B3118552F00	TENSION RELEASING PIN				1.00
8	WP0621016SD	WASHER 6.2X13X1				1.00
9	B15240120BA	PRESSER FOOT ASM.				1.00
10	NS6620310SP	NUT 3/16-32				2.00
11	22944508	WIRE PRESSER A				2.00
12	SM4040655SP	SCREW M4 L=6				1.00
13	SM4041055SP	SCREW				1.00
14	22907406	PRESSER SPRING				1.00
15	40136700	PRESSER_BAR_BUSHING				1.00
16	23610207	PRESSER BAR				1.00
17	40086606	PRESSER_BAR_GUIDE_BRACKET_ASM.				1.00
18	40086607	PRESSER_BAR_GUIDE_BRACKET		*		1.00
19	SM6051400SP	SCREW		*		1.00
20	SS7091110TP	SCREW 9/64-40 L=10.5				1.00
21	23610306	PRESSER GUIDE BAR				1.00
22	40037359	PRESSER SPRING REGURATOR ASM.				1.00
23	40037141	PRESSER SPRING REGULATOR		*		1.00
24	40037144	PRESSER SPRING REGULATOR NUT		*		1.00
25	40174387	LIFT_LINK_ASSY				1.00
26	22908008	LIFTING PLATE		*		1.00
27	23609456	LIFTING LINK COMPL.		*		1.00
28	40174377	LIFT_LINK_PLATE		*		1.00
29	RE0500000K0	E-RING		*		1.00
30	23609605	PLATE		*		1.00
31	SM6040602TP	SCREW M4X0.7 L=6		*		1.00
32	22907802	HAND LIFTER				1.00
33	B1521555000	SCREW				1.00
34	22908552	HAND LIFTER CAM ASM.				1.00
35	RO037180100	RUBBER RING				1.00
36	40050583	LINK SHAFT				2.00
37	RE0500000K0	E-RING				3.00
38	40174388	HINGE_SCREW				1.00
39	40172401	AK_LEVER				1.00
40	40172402	PRESSER_LEVER_SHAFT				1.00
41	SM80608A2TP	SCREW M6 L=8				1.00
42	40172403	CONNECTING ROD				1.00
43	RO044240100	RUBBER RING				1.00
44	40036706	ADJUSTING SCREW				1.00
45	NM6060003SE	NUT FOR BRACKET				1.00
46	40174573	CABLE_CLAMP_PLATE				1.00
47	SM6051402TP	SCREW M5X0.8 L=14				2.00
48	WP0501016SD	WASHER 5X10.5X1				2.00
49	HX00150000A	CABLE CLAMP				1.00
50	SM4040601SC	SCREW M4X0.7 L=6				1.00

51	GPK26023000	BUSH A				1.00
----	-------------	--------	--	--	--	------

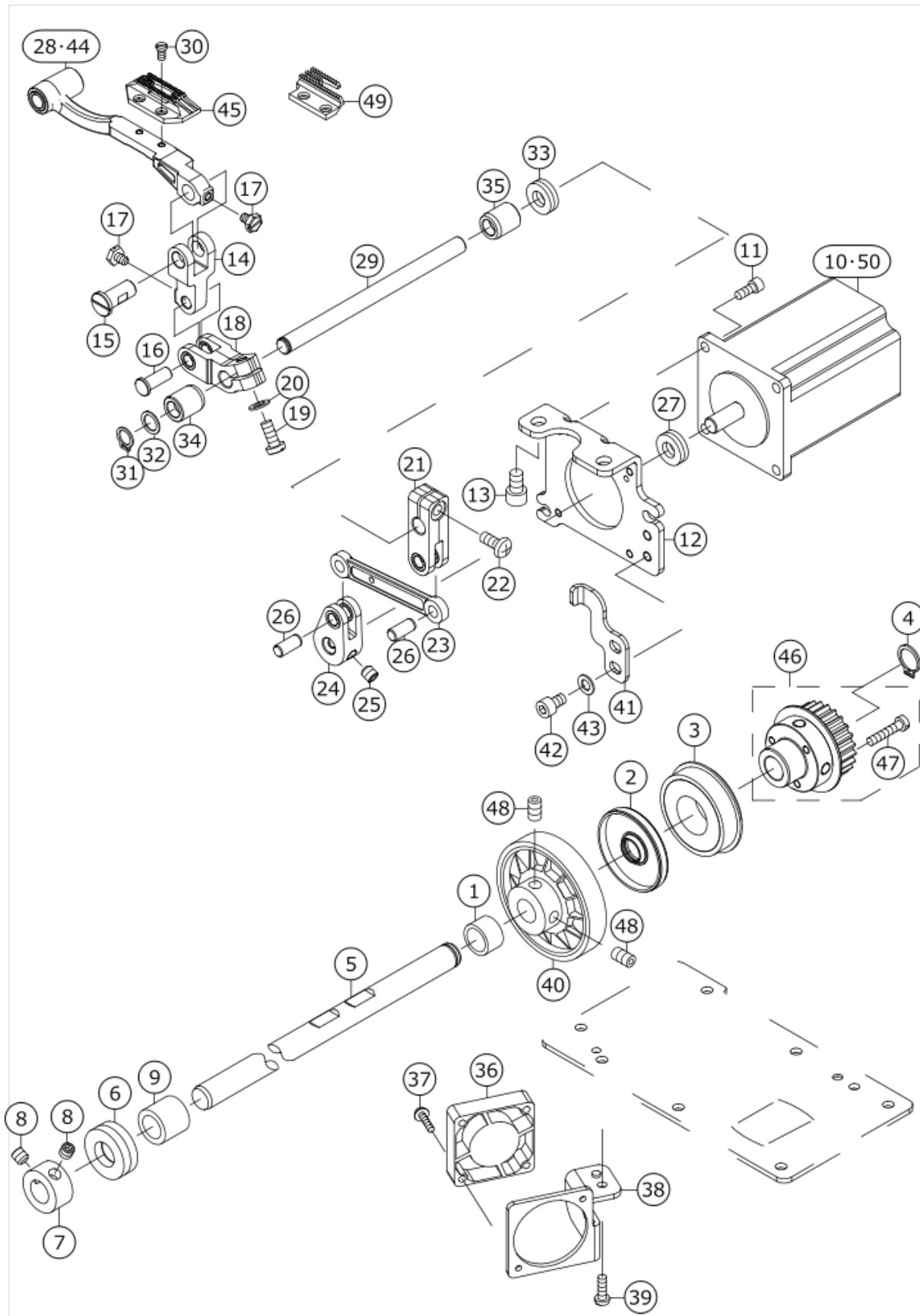
FEED ADJUST MECHANISM COMPONENTS



No.	品番	品名	備考	子部品	消耗品	個数
1	40174296	ASSY_FEED_ROCKER_CAM				1.00
2	40174297	FEED_ROCKER_CAM		*		1.00
3	SS8150822TP	SCREW 15/64-28 L=8		*		2.00
4	B412352200A	NEEDLE BEARING				1.00
5	B412352200B	NEEDLE ROLLAR				1.00
6	B412352200C	NEEDLE ROLLAR				1.00
7	40174298	FEED_ROCKER_CAM_TOP				1.00
8	SS6090670TP	SCREW 9/64-40 L=6				2.00
9	40037365	FEED ROCKER ROD ASM.				1.00
10	40026277	FEED ROCKER ROD		*		1.00
11	22911101	WALKING FOOT PIN C		*		1.00
12	SS6090620TP	SCREW		*		1.00
13	40174300	FEED_CONNECTING_LINK_A				2.00
14	40174302	FEED_CONNECTING_LINK_B				2.00
15	40061246	FEED ROCKER ARM ALL ASM.				1.00
16	40058504	FEED ROCKER ARM ASM.		*		1.00
17	40042079	FEED ROCKER ARM		*		1.00
18	SS6121610SP	SCREW 3/16-28 L=15.5		*		1.00
19	22911002	WALKING FOOT PIN B		*		1.00
20	SS6090620TP	SCREW		*		1.00
21	23616709	FEED ROCKER SHAFT METAL				1.00
22	22904155	MAIN SHAFT THRUST COLLAR ASM.				2.00
23	22904106	MAIN SHAFT THRUST COLLAR		*		1.00
24	SS8660610TP	SCREW 1/4-40 L=6		*		2.00
25	40172134	FEED_ROCKER_DUST_SEAL				1.00
26	40174299	FEED_ROCKER_REAR_METAL				1.00
27	40037005	ASSY_FEED_ROCKER_BASE_ARM				1.00
28	40026281	FEED ROCKER BASE ARM		*		1.00
29	SM6051400SP	SCREW		*		1.00
30	WP0531000SD	WASHER M5		*		1.00
31	SM4050855SP	SCREW		*		1.00
32	40026282	FEED ROCKER BASE SHAFT				1.00
33	10523702	WASHER				1.00
34	40086735	ADJUSTING LINK ASM.				1.00
35	40086695	FEED_ADJUSTING_LINK		*		1.00
36	40086696	FEED_ADJUSTING_LINK_PIN		*		2.00
37	SM80506A2TP	SCREW M5 L=6		*		2.00
38	40172467	ADJUSTING_LINK_FULCRUM_SHAFT				1.00
39	SM80606A2TP	SCREW M6 L=6				1.00
40	40086736	RUBBER PLUG				1.00
41	40172460	FEED_CHANGING_SHAFT				1.00
42	SM80606A2TP	SCREW M6 L=6				1.00
43	40172508	FEED_CHANGING_SHAFT_METAL_A				1.00
44	40172138	FEED_CHANGING_DUST_SEAL				1.00
45	40086616	FEED_CHANGING_SHAFT_METAL_B				1.00
46	40172378	REVERSE_FEED_LEVER				1.00
47	40174291	FEED_CONTROL_SENSOR_PLATE				1.00
48	SM4040655SP	SCREW M4 L=6				1.00
49	40172509	FEED_LEVER_SHAFT				1.00
50	40172510	FEED_LEVER_SHAFT_METAL				1.00

51	B2431215000	THREAD TRIMMER LINK SPRING				2.00
52	40174293	ASSY_FEED_LEVER_ARM				1.00
53	40174294	FEED_LEVER_ARM		*		1.00
54	22912307	PIN		*		1.00
55	SM6051602TP	SCREW M5X0.8 L=16		*		1.00
56	22952501	BACK LEVER STOPPER				2.00
57	SM6051850TP	SCREW M5 L=18				2.00
58	40174405	FEED_CONTROL_SENSOR_BASE_ASM				1.00
59	SM4040655SP	SCREW M4 L=6				2.00
60	40174317	FEED_ROCKER_SHAFT				1.00
61	SM8050612TP	SCREW M5X6				2.00

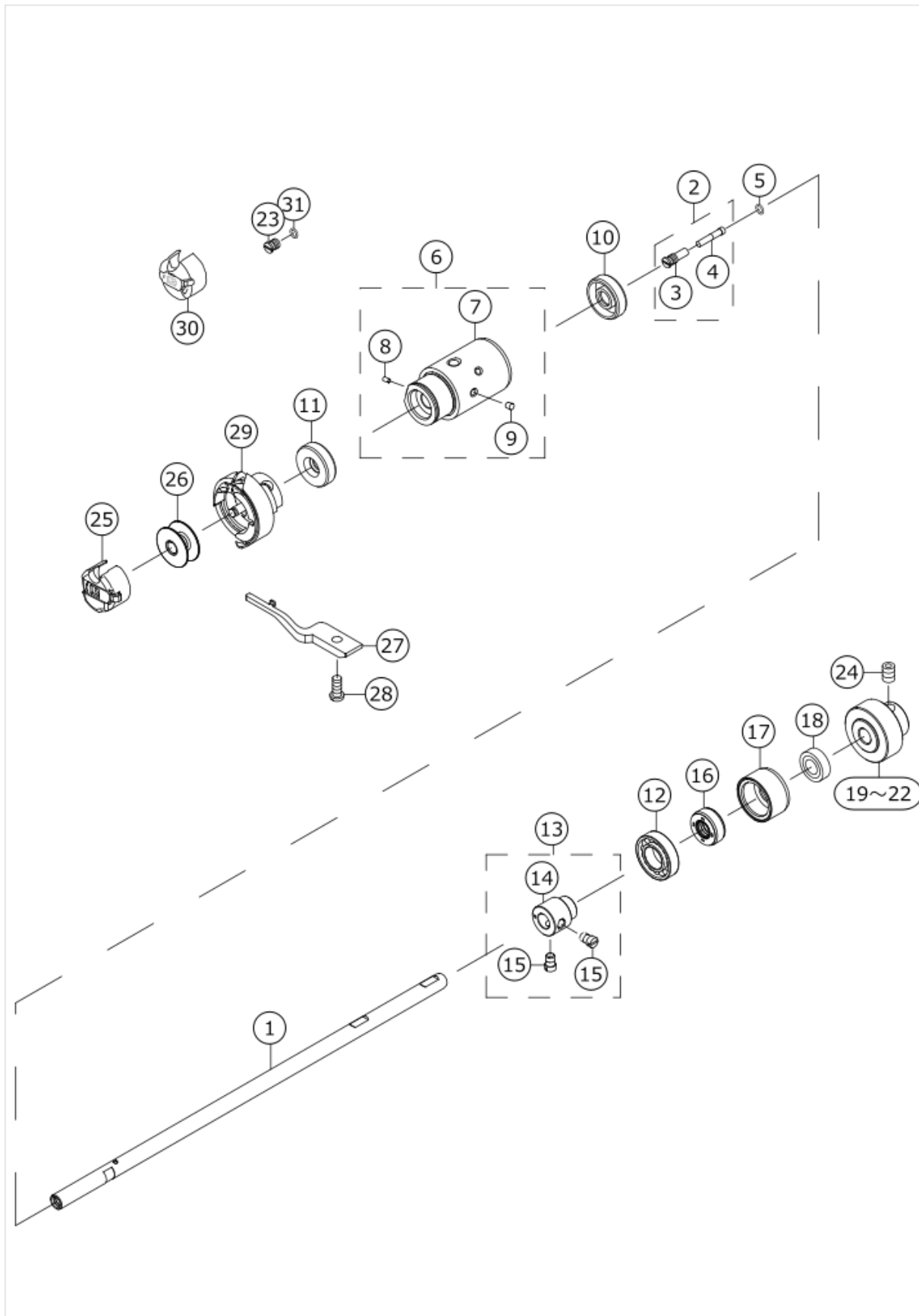
VERTICAL FEED COMPONENTS



No.	品番	品名	備考	子部品	消耗品	個数
1	40174590	LOWER_SHAFT_METAL				1.00
2	40172137	LOWER_SHAFT_REAR_DUST_SEAL				1.00
3	SB120001800	BEARING				1.00
4	RC1200001KP	C-SHAPED SNAP RING				1.00
5	40174321	LOWER_SHAFT				1.00
6	SB412000100	BEARING				1.00
7	CS1201171TP	THRUST COLLAR D=12 W=11				1.00
8	SM80606A2TP	SCREW M6 L=6				2.00
9	40174325	BEARING				1.00
10	40168922	VERTICAL FEED MOTOR	SELECTIVE PARTS			1.00
11	SM6041002TP	SCREW M4X0.7 L=10				4.00
12	40172455	VERTICAL_MOTOR_BASE				1.00
13	SM6061002TP	SCREW M6 L=10				2.00
14	40172443	FEED_BASE_DRIVING_LINK				1.00
15	40174581	FEED_PIN_A				1.00
16	40174582	FEED_PIN_B				1.00
17	SM9040650TP	SCREW M4 L=6				2.00
18	40172444	FEED_LINK_ARM_A_COMPL				1.00
19	SM4051255SP	SCREW M5 L=12				1.00
20	WP0550800SP	WASHER 5.5X10X0.8				1.00
21	40172446	FEED_LINK_ARM_B_COMPL				1.00
22	SM4051255SP	SCREW M5 L=12				2.00
23	40172454	FEED_CONNECT_LINK				1.00
24	40172448	FEED_MOTOR_LINK_COMPL				1.00
25	SM8480652TP	SCREW				2.00
26	13319405	MAIN FEED ROCKER PIN				2.00
27	SB408000100	BEARING				1.00
28	40172440	FEED_BASE_COMPL				1.00
29	40172453	FEED_LINK_SHAFT				1.00
30	SS4080620TP	SCREW 1/8-44 L=6				2.00
31	RC0740811KP	C-RING				1.00
32	WP0820516SP	WASHER 11.6X8.2X0.6				1.00
33	SB408000100	BEARING				1.00
34	40172451	FEED_LINK_METAL				1.00
35	40172452	FEED_LINK_METAL_B				1.00
36	40191349	FAN MOTOR ASSY				1.00
37	SL4031491SC	SCREW M3X14				2.00
38	40172461	FAN_PLATE				1.00
39	SM4041255SP	SCREW M4 L=12				1.00
40	23620503	GEAR				1.00
41	40172439	FEED_BASE_STOPPER				1.00
42	SM6050802TP	SCREW M5X0.8 L=8				2.00
43	WP0550800SP	WASHER 5.5X10X0.8				2.00
44	40174396	FEED_BASE_COMPL_H	DDL-9000C-SSH ONLY			1.00
45	B1613012I00	FEED DOG I	FOR AA,BB,GG			1.00
46	40174577	UNDER_SPROCKET_ASM.				1.00
47	SM6042000SP	SCREW		*		3.00
48	SS8661012TP	SCREW				2.00

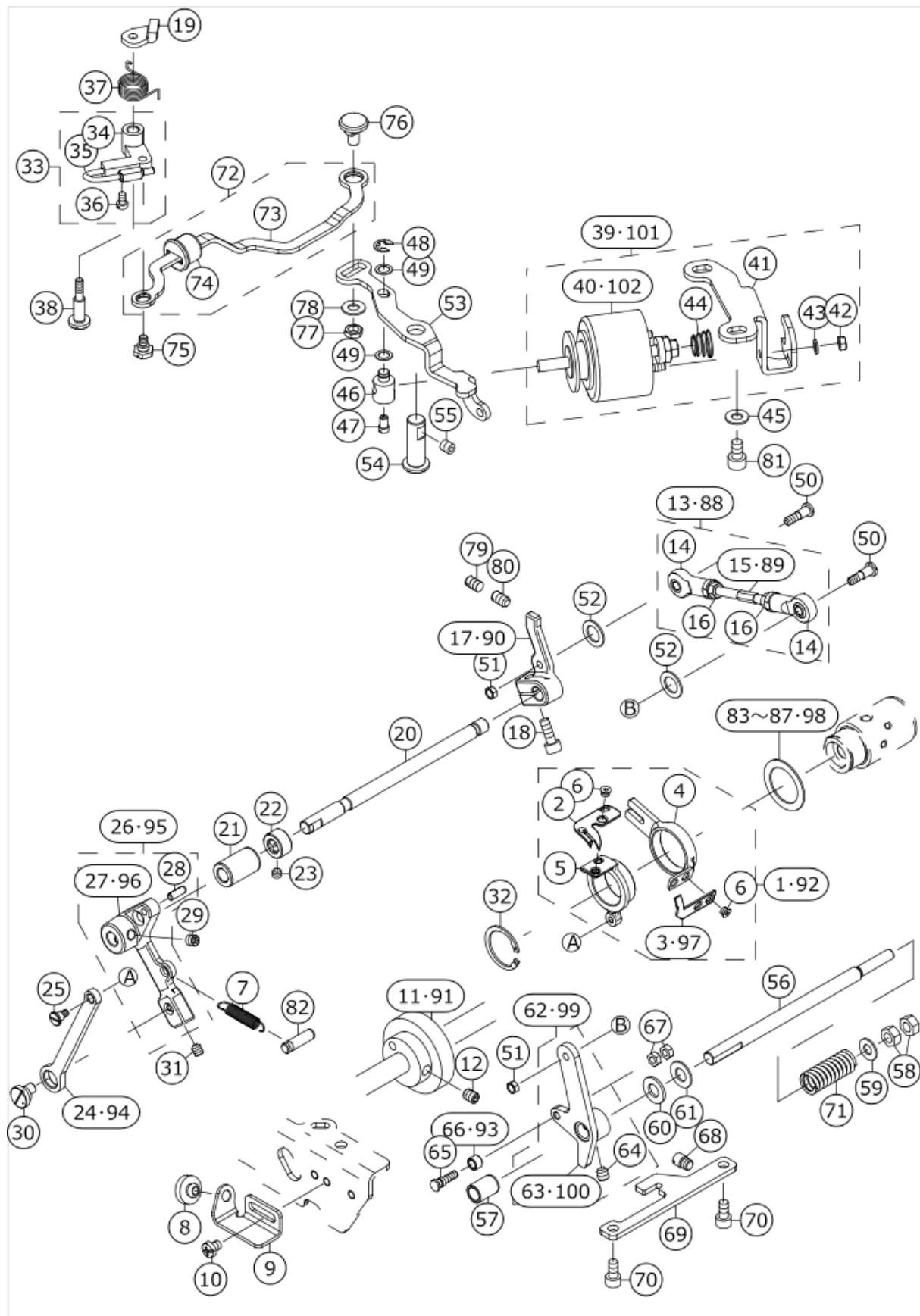
49	23614506	FEED DOG A	FOR EE			1.00
50	40255466	VERTICAL FEED MOTOR	SELECTIVE PARTS			1.00

HOOK DRIVING COMPONENTS



No.	品番	品名	備考	子部品	消耗品	個数
1	40174328	HOOK_SHAFT				1.00
2	22916555	OIL SEAL SCREW ASM.				1.00
3	22916506	SET SCREW		*		1.00
4	11015906	OIL WICK		*		1.00
5	RO036080200	RUBBER RING				1.00
6	40174331	HOOK_SHAFT_METAL_ASM				1.00
7	40174332	HOOK_SHAFT_METAL		*		1.00
8	TA0180401M0	NEEDLE COOLER PLUG CAP		*		1.00
9	TA0290301M0	PLUG		*		1.00
10	40145927	OIL SEAL				1.00
11	40010805	OIL SEAL RING				1.00
12	G1812870000	LOWER SHAFT INNER BEARING				1.00
13	40086691	HOOK_SHAFT_BEARING_SUPPORT_ASM				1.00
14	40086692	HOOK_SHAFT_BEARING_SUPPORT		*		1.00
15	SS6110710TP	SCREW 11/64-40 L=6.5		*		2.00
16	40172135	HOOK_SHAFT_DUST_SEAL				1.00
17	40174333	HOOK SHAFT REAR METAL				1.00
18	SB408000100	BEARING				1.00
19	23620701	GEAR	SELECTIVE PARTS			1.00
20	23620800	GEAR	SELECTIVE PARTS			1.00
21	23620909	GEAR	SELECTIVE PARTS			1.00
22	23621006	GEAR	SELECTIVE PARTS			1.00
23	11079506	FRONT SCREW	OPTIONAL PARTS			1.00
24	SS8661012TP	SCREW				2.00
25	11038759	BOBBIN CASE ASM.				1.00
26	22964001	BOBBIN A				1.00
27	40174351	INNER HOOK HOLDER				1.00
28	SS4111015SP	SCREW 11/64-40 L=10				1.00
29	11038650	HOOK ASM.				1.00
30	22896252	BOBBIN CASE ASM.	OPTIONAL PARTS			1.00
31	RO036080200	RUBBER RING	OPTIONAL PARTS			1.00

THREAD TRIMMER COMPONENTS

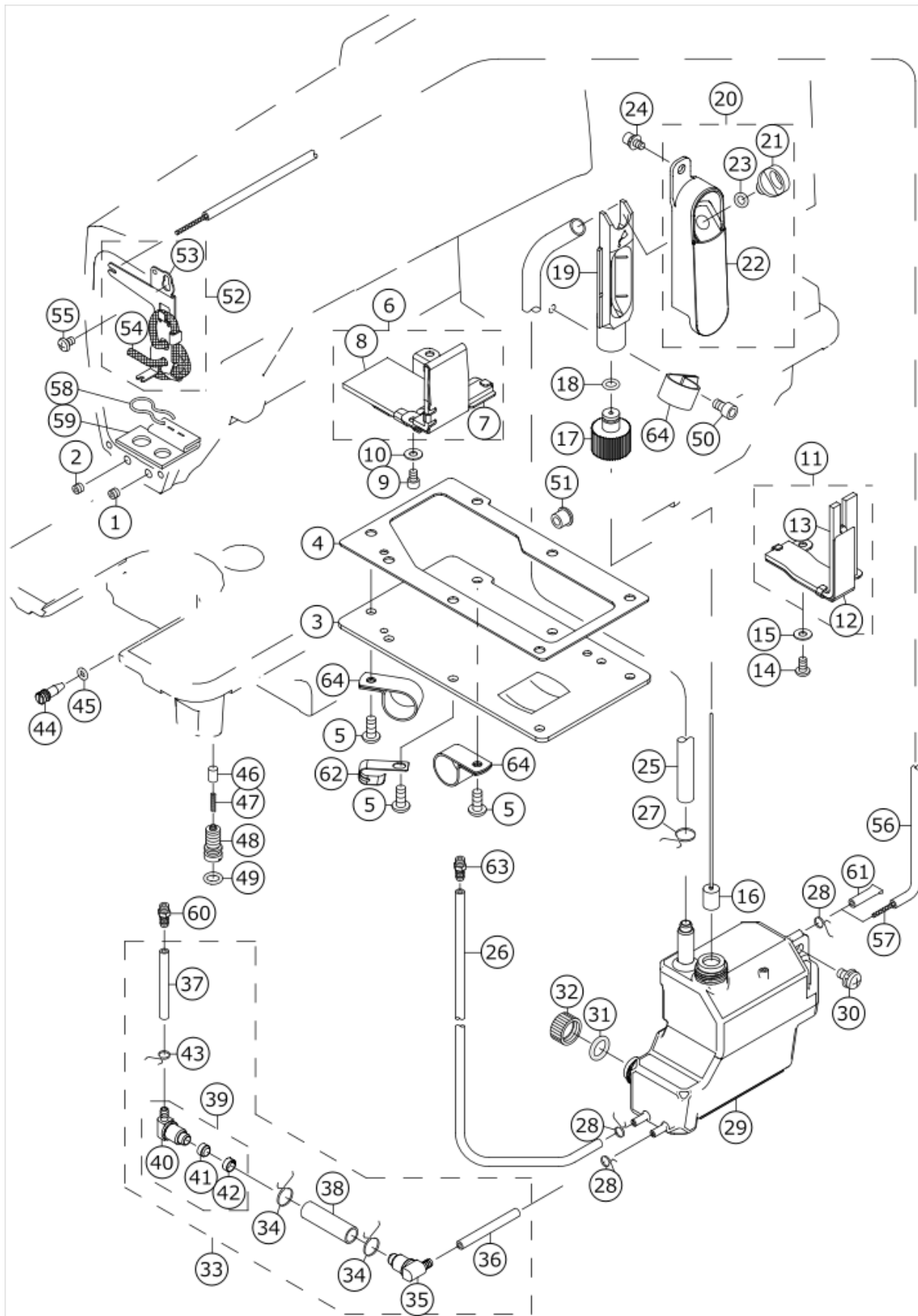


No.	品番	品名	備考	子部品	消耗品	個数
1	40195551	KNIFE_UNIT_H	DDL-9000C-SSH ONLY			1.00
2	40194361	HANDLING_DEVICE_KNIFE		*		1.00
3	40195552	THREAD_TRIMMER_KNIFE_H	DDL-9000C-SSH ONLY	*		1.00
4	40174318	THREAD_TRIMMER_BASE		*		1.00
5	40172489	HANDLING_DEVICE_BASE		*		1.00
6	11420601	SCREW		*		4.00
7	40211778	TRIMMER_BACK_SPRING				1.00
8	B1116210D00	FRAME SUPPORT RUBBER				1.00
9	40172498	RUBBER_STOPPER_PLATE				1.00
10	SM4050655SP	SCREW M5 L=6				2.00
11	40172499	THREAD_TRIMMER_CAM				1.00
12	SM80608A2TP	SCREW M6 L=8				2.00
13	40174323	CONNECTING_ROD_ASM_R	DDL-9000C-SSH ONLY			1.00
14	40136701	ROD_END		*		2.00
15	40174324	CONNECTING_BAR	DDL-9000C-SSH ONLY	*		1.00
16	NM6050001SC	NUT M5X0.8 TYPE1		*		2.00
17	40172500	TRIMMER_MOVING_ARM				1.00
18	SM6051402TP	SCREW M5X0.8 L=14				1.00
19	40062168	PICKER SPRING HOOK				1.00
20	40172481	TRIMMER_MOVING_SHAFT				1.00
21	40172482	THREAD_TRIMMER_METAL_A				1.00
22	CS0800881TP	THRUST COLLAR				1.00
23	SM80506A2TP	SCREW M5 L=6				2.00
24	40172484	THREAD_TRIMMER_ROD				1.00
25	SD0500403TP	SCREW				1.00
26	40172477	THREAD_TRIMMER_ARM_ASM				1.00
27	40172478	THREAD_TRIMMER_ARM		*		1.00
28	40172479	THREAD_TRIMMER_ARM_PIN		*		1.00
29	SM8480652TP	SCREW				2.00
30	40172480	TRIMMER_ADJUSINGT_PIN				1.00
31	SM80506A2TP	SCREW M5 L=6				2.00
32	RC2651218KP	RETAINING RING				1.00
33	40036998	ASSY_PICKER_ARM				1.00
34	40061215	PICKER ARM		*		1.00
35	40036997	ASSY_PICKER		*		1.00
36	SS6090670TP	SCREW 9/64-40 L=6		*		2.00
37	40029398	PICKER SPRING				1.00
38	SD0641456TP	SHOULDER SCREW D=6.35 H=14.5				1.00
39	40172491	THREAD_TRIMMER_SOLENOID_F_ASM	EXCEPT DDL-9000C-SSH			1.00
40	40172494	THREAD_TRIMMER_SOLENOID_F	EXCEPT DDL-9000C-SSH	*		1.00
41	40174583	SOLENOID_INSTALLING_BASE		*		1.00
42	NM6040001SE	NUT M4		*		2.00
43	WS0410002KR	SPRING WASHER M4		*		2.00
44	40174584	SPRING		*		1.00

45	WP0621016SD	WASHER 6.2X13X1				2.00
46	40086711	SORENOID_PIN				1.00
47	SS6110710TP	SCREW 11/64-40 L=6.5				1.00
48	RE0500000K0	E-RING				1.00
49	10618304	VERTICAL ROLLER WASHER				2.00
50	SD0500701TP	SHOULDER SCREW				2.00
51	NS6110310SP	HEXAGONAL NUT 11/64-40				2.00
52	40086712	CONNECTING ROD FELT				2.00
53	40172495	CLUTCH_PLATE				1.00
54	40086635	CLUTCH_SHAFT				1.00
55	SM8060812TP	SCREW M6 L=8				1.00
56	40172496	THREAD_TRIMMER_SHAFT				1.00
57	40172483	THREAD_TRIMMER_METAL_B				1.00
58	NM6060001SC	NUT M6X1 TYPE1				2.00
59	WP0621016SH	WASHER				1.00
60	B1116804000	CLOTH PLATE WASHER				1.00
61	40090099	WASHER				1.00
62	40182053	ASSY_CAM_FOLLOWER	DDL-9000C-SSH ONLY			1.00
63	40181990	CAM_FOLLOWER_ASM.	DDL-9000C-SSH ONLY	*		1.00
64	SM80606A2TP	SCREW M6 L=6		*		2.00
65	40086748	ROLLER SHAFT				1.00
66	40015671	CAM_ROLLER	SELECTIVE PARTS			1.00
67	NM6040001SP	NUT M4X0.7				2.00
68	40086623	STOPPER_SCREW				1.00
69	40172490	CAM_FOLLOWER_STOPPER				1.00
70	SM6050802TP	SCREW M5X0.8 L=8				2.00
71	40172504	THREAD_TRIMMER_SPRING_D				1.00
72	40172501	PICKER_LINK_ASM				1.00
73	40172502	PICKER_LINK		*		1.00
74	40172503	PICKER_LINK_RUBBER		*		1.00
75	SD0630275SP	HINGE SCREW D=6.35 H=2.7				1.00
76	22950000	PICKER LINK PIN				1.00
77	NS6150310SP	NUT 15/64-28				1.00
78	WP0621016SH	WASHER				1.00
79	SM8061050TP	SCREW				1.00
80	SM8061010TP	SCREW				1.00
81	SM6061002TP	SCREW M6 L=10				2.00
82	22912307	PIN				1.00
83	11419504	THRUST COLLAR A	SELECTIVE PARTS			1.00
84	11419603	THRUST COLLAR B	SELECTIVE PARTS			1.00
85	11419702	THRUST COLLAR C	SELECTIVE PARTS			1.00
86	11419801	THRUST COLLAR D	SELECTIVE PARTS			1.00
87	11419900	THRUST COLLAR E	SELECTIVE PARTS			1.00

88	40174398	CONNECTING_ROD_ASM_R				1.00
89	40086709	CONNECTING_BAR		*		1.00
90	40174315	TRIMMER_MOVING_ARM	DDL-9000C-SSH ONLY			1.00
91	40174316	THREAD_TRIMMER_CAM	DDL-9000C-SSH ONLY			1.00
92	40194359	KNIFE_UNIT_S	EXCEPT DDL-9000C-SSH			1.00
93	40174610	CAM_ROLLER_B	SELECTIVE PARTS			1.00
94	40168860	THREAD_TRIMER_ROD	DDL-9000C-SSH ONLY			1.00
95	40174600	THREAD_TRIMMER_ARM_ASM	DDL-9000C-SSH ONLY			1.00
96	40174314	THREAD_TRIMMER_ARM	DDL-9000C-SSH ONLY	*		1.00
97	40194360	THREAD_TRIMMER_KNIFE_S	EXCEPT DDL-9000C-SSH	*		1.00
98	40174612	SPACER	SELECTIVE PARTS			1.00
99	40095843	ASSY_CAM_FOLLOWER	EXCEPT DDL-9000C-SSH			1.00
100	40086624	CAM_FOLLOWER_ASM.	EXCEPT DDL-9000C-SSH	*		1.00
101	40172492	THREAD_TRIMMER_SOLENOID_D_ASM	DDL-9000C-SSH ONLY			1.00
102	40089263	THREAD TRIMMER SOLENOID	DDL-9000C-SSH ONLY	*		1.00

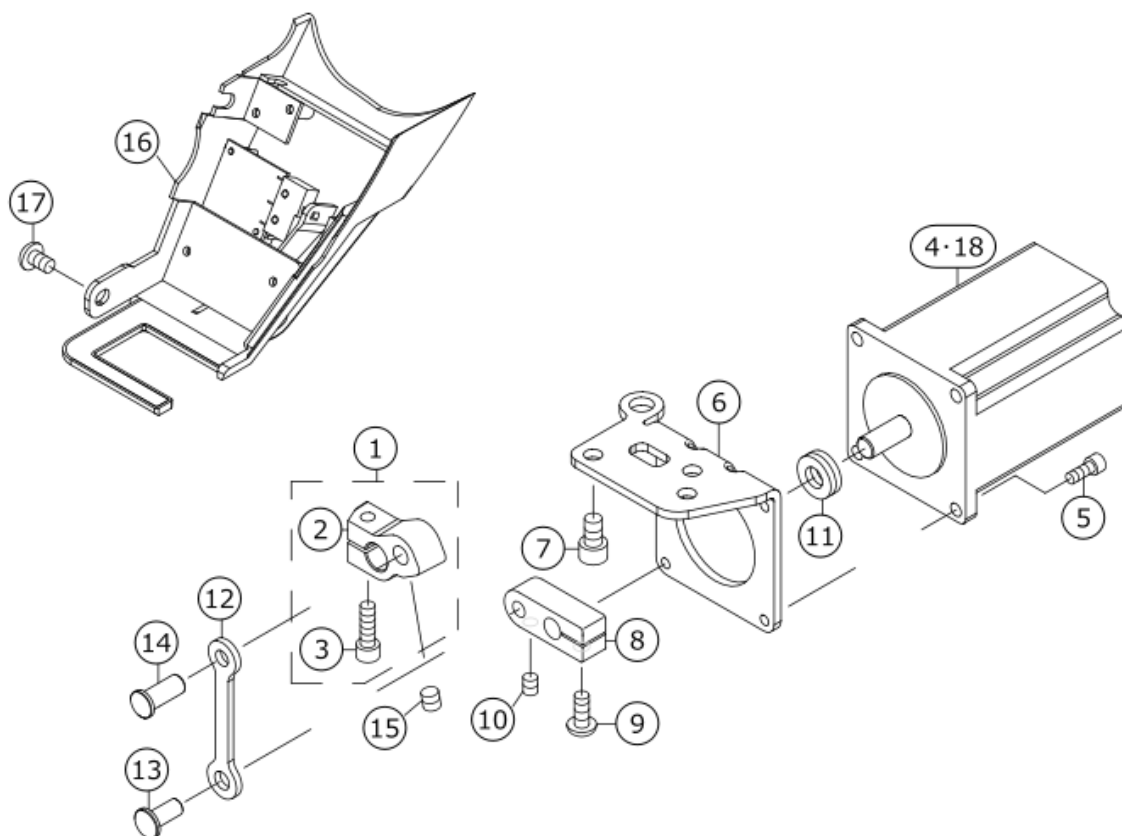
OIL LUBRICATION COMPONENTS



No.	品番	品名	備考	子部品	消耗品	個数
1	SM8050402TP	SCREW				1.00
2	SM8050402TP	SCREW				1.00
3	40174358	GEAR_BOX_COVER				1.00
4	40174359	GEAR_BOX_PACKING				1.00
5	SM4051255SP	SCREW M5 L=12				6.00
6	40172469	LINK_COVER_ASM				1.00
7	40174360	LINK_COVER		*		1.00
8	40174361	GEAR_BOX_LUBRICATION_FELT		*		1.00
9	SM6040602TP	SCREW M4X0.7 L=6				2.00
10	WP0450801SD	WASHER 4.5X10X0.8				2.00
11	40174306	FEED_ROCKER_CAM_LUBRICATION_FELT_ASM.				1.00
12	40174394	FELT_PLATE		*		1.00
13	40174362	FEED_ROCKER_CAM_LUBRICATION_FELT		*		1.00
14	SM4040655SP	SCREW M4 L=6				2.00
15	WP0450801SD	WASHER 4.5X10X0.8				2.00
16	40172430	ASSY_FLOATER				1.00
17	40172433	FLOATER_CAP				1.00
18	RO061180100	RUBBER RING				1.00
19	40172437	FLOATER_CASE_GUIDE				1.00
20	40149785	ASSY_FLOATER_SIGHT_WINDOW_B				1.00
21	40000344	LUBRICATING INLET CAP		*		1.00
22	40086697	FLOATER_SIGHT_WINDOW_B		*		1.00
23	RO048190100	RUBBER RING		*		1.00
24	SL6040892TN	BOLT				1.00
25	23630106	TUBE B				0.10
26	23630007	TUBE				0.43
27	23629405	PIPE STOPPER B				1.00
28	23629306	PIPE STOPPER A				3.00
29	40172436	OIL_TANK				1.00
30	SL4051091SC	SCREW M5X0.8 L=10				2.00
31	RO098240100	O-RING				1.00
32	40013595	OIL_EXIT_CAP				1.00
33	40174307	OIL_FILTER_ASM.				1.00
34	23629405	PIPE STOPPER B		*		2.00
35	23630601	OIL FILTER JOINT		*		1.00
36	23630007	TUBE		*		0.05
37	40178658	PIPE		*		0.27
38	23630106	TUBE B		*		0.04
39	23630650	OIL FILTER JOINT ASM.		*		1.00
40	23630601	OIL FILTER JOINT		*		1.00
41	23630403	OIL FILTER		*		1.00
42	23630502	OIL FILTER STOPPER		*		1.00
43	23629306	PIPE STOPPER A		*		1.00
44	40174365	OIL ADJUSTING SCREW				1.00
45	RO037180100	RUBBER RING				1.00
46	23628803	PLUNGER				1.00
47	23628902	PLUNGER SPRING				1.00
48	40038328	PLUNGER SCREW				1.00
49	RO068190100	RUBBER RING				1.00
50	SM6050802TP	SCREW M5X0.8 L=8				1.00

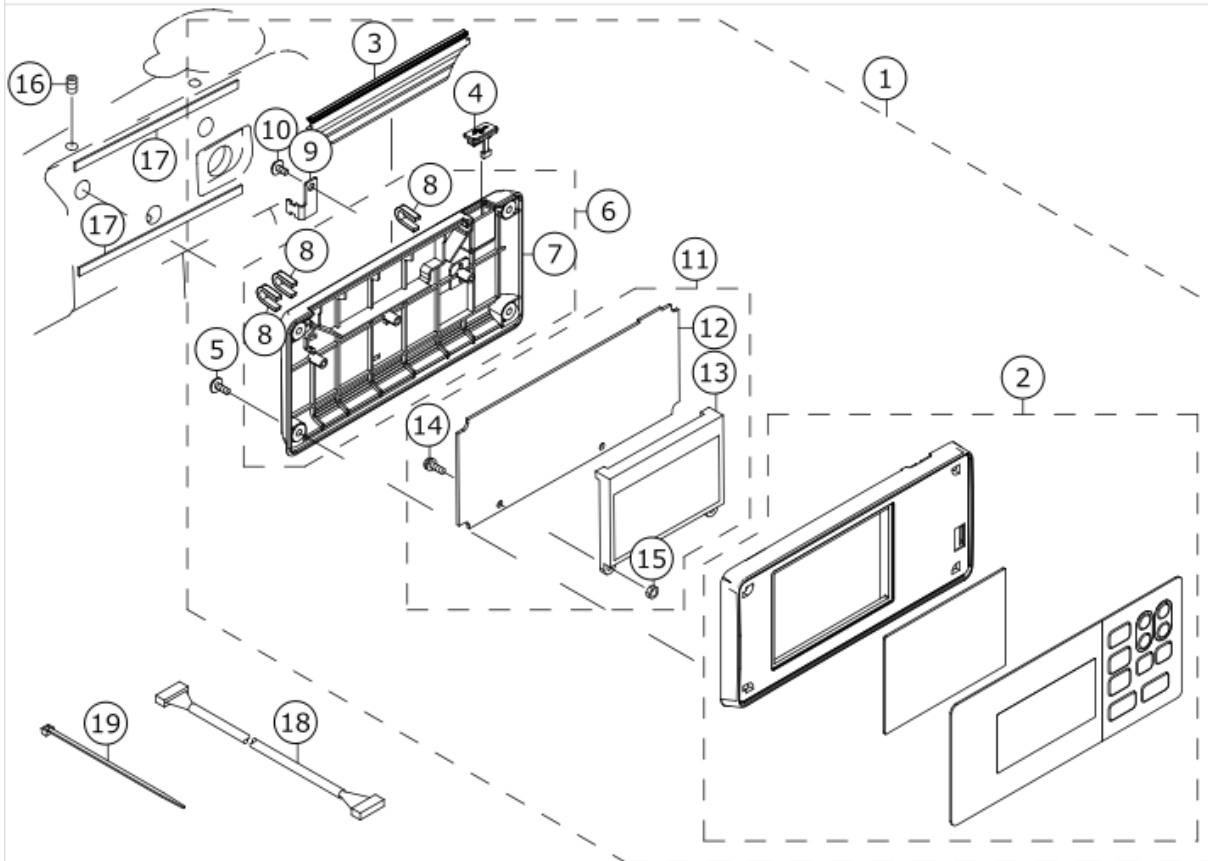
51	22901409	NEEDLE BAR UPPER BUSH CAP				1.00
52	23629256	OIL WICK SUPPORT ASM.	DDL-9000C-SSH ONLY			1.00
53	23629207	OIL WICK SUPPORT	DDL-9000C-SSH ONLY	*		1.00
54	CQ250000001	OIL WICK	DDL-9000C-SSH ONLY	*		0.25
55	SM5040655SN	SCREW	DDL-9000C-SSH ONLY			1.00
56	23630007	TUBE	DDL-9000C-SSH ONLY			0.75
57	CQ200000001	OIL WICK	DDL-9000C-SSH ONLY			0.18
58	22925101	OIL FELT PRESSER	DDL-9000C-SSH ONLY			1.00
59	40075404	FACE FELT ASM.	DDL-9000C-SSH ONLY			1.00
60	40174356	CONNECTING SCREW				1.00
61	40174399	CAP	DDL-9000C-SMS ONLY			1.00
62	40136258	CORD HOLDER				1.00
63	SQ2050453MZ	CONNECTING SCREW				1.00
64	HX00150000K	CABLE CLIP				3.00

AUTOMATIC REVERSE FEED COMPONENTS



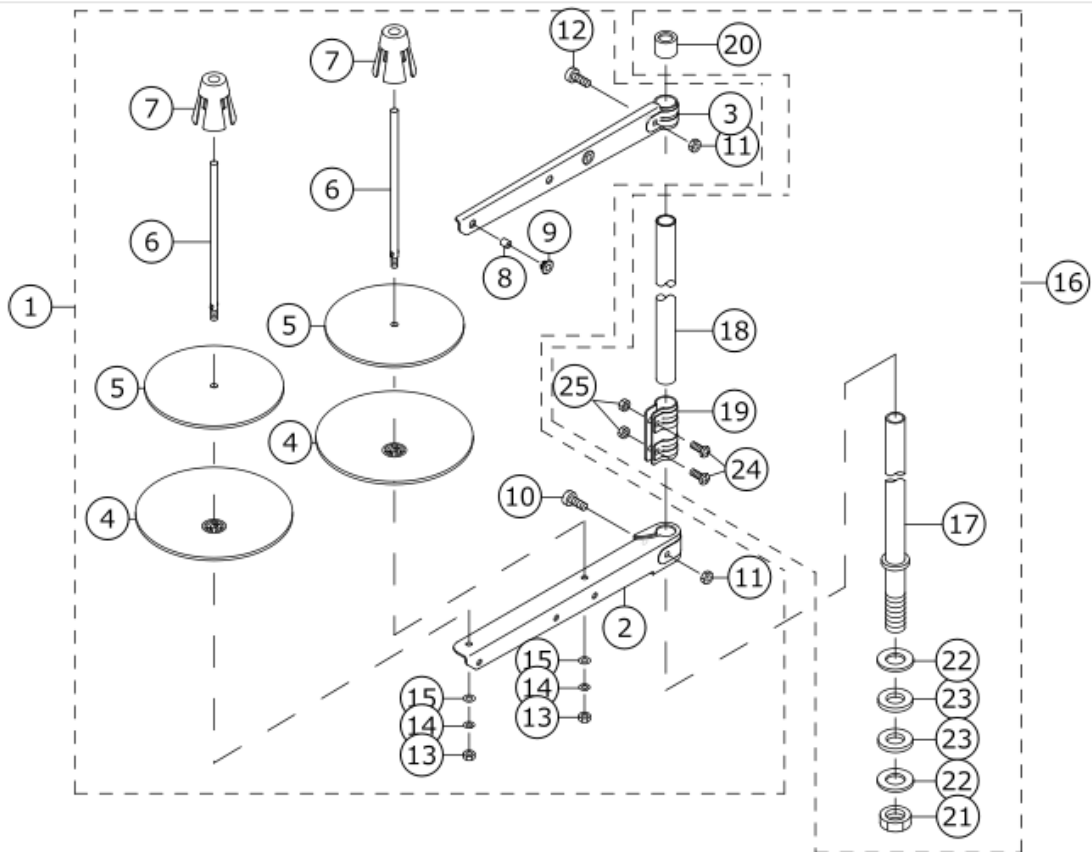
No.	品番	品名	備考	子部品	消耗品	個数
1	40095844	REVERSE_FEED_ARM_ASM.				1.00
2	40086698	REVERSE_FEED_ARM		*		1.00
3	SM6051602TP	SCREW M5X0.8 L=16		*		1.00
4	40168921	HORIZONTAL FEED MOTOR	SELECTIVE PARTS			1.00
5	SM6041002TP	SCREW M4X0.7 L=10				4.00
6	40172456	HORIZONTAL_MOTOR_BASE				1.00
7	SM6061002TP	SCREW M6 L=10				3.00
8	40010278	MOTOR LINK				1.00
9	SM4051255SP	SCREW M5 L=12				1.00
10	SM8050612TP	SCREW M5X6				1.00
11	SB408000100	BEARING				1.00
12	40172458	HORIZ_CONNECT_LINK				1.00
13	40172457	HORIZ_MOTOR_LINK_PIN				1.00
14	40086699	REVERSE_FEED_LINK_PIN				1.00
15	SM8480652TP	SCREW				1.00
16	40174372	LED_TB_SWITCH				1.00
17	SM4050855SP	SCREW				2.00
18	40255465	HORIZONTAL FEED MOTOR	SELECTIVE PARTS			1.00

OPERATION PANEL COMPONENTS



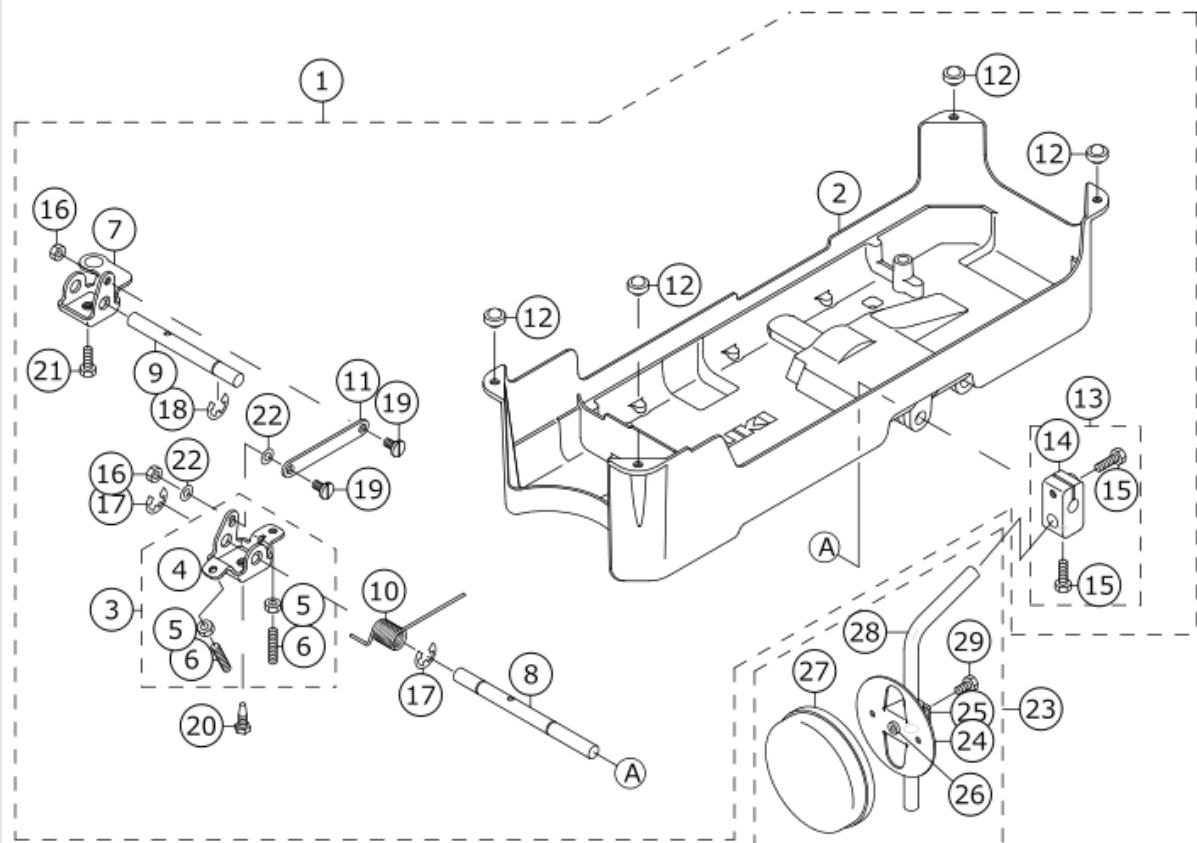
No.	品番	品名	備考	子部品	消耗品	個数
1	40173460	PANEL D ASSY				1.00
2	40173461	PANEL_COVER_D ASSY		*		1.00
3	40172422	INDICATOR		*		1.00
4	40172423	USB_COVER		*		1.00
5	SV4030802SN	TAPPING SCREW WITH FLANGE M3X8		*		4.00
6	40173459	PANEL COVER R ASM		*		1.00
7	40172386	PANEL_COVER_R		*		1.00
8	40172420	FIX_PLATE		*		3.00
9	40174580	PANEL_CABLE_CLAMP_PLATE		*		1.00
10	SV4030802SN	TAPPING SCREW WITH FLANGE M3X8		*		1.00
11	40173462	PNL-D PCB ASSY A		*		1.00
12	40169408	PNL-D PCB ASSY		*		1.00
13	40163141	LCD_MODULE		*		1.00
14	SL4031081SC	SCREW M3X10		*		2.00
15	NM6030001SC	NUT M3X0.5 TYPE1		*		2.00
16	SM8050802TP	SCREW M5X0.8 L=8				3.00
17	40174408	PANEL_CSHION_RUBBER				2.00
18	40175585	CTL-PNL CORD ASSY				1.00
19	EA9500B0100	CABLE BAND				1.00

THREAD STAND COMPONENTS



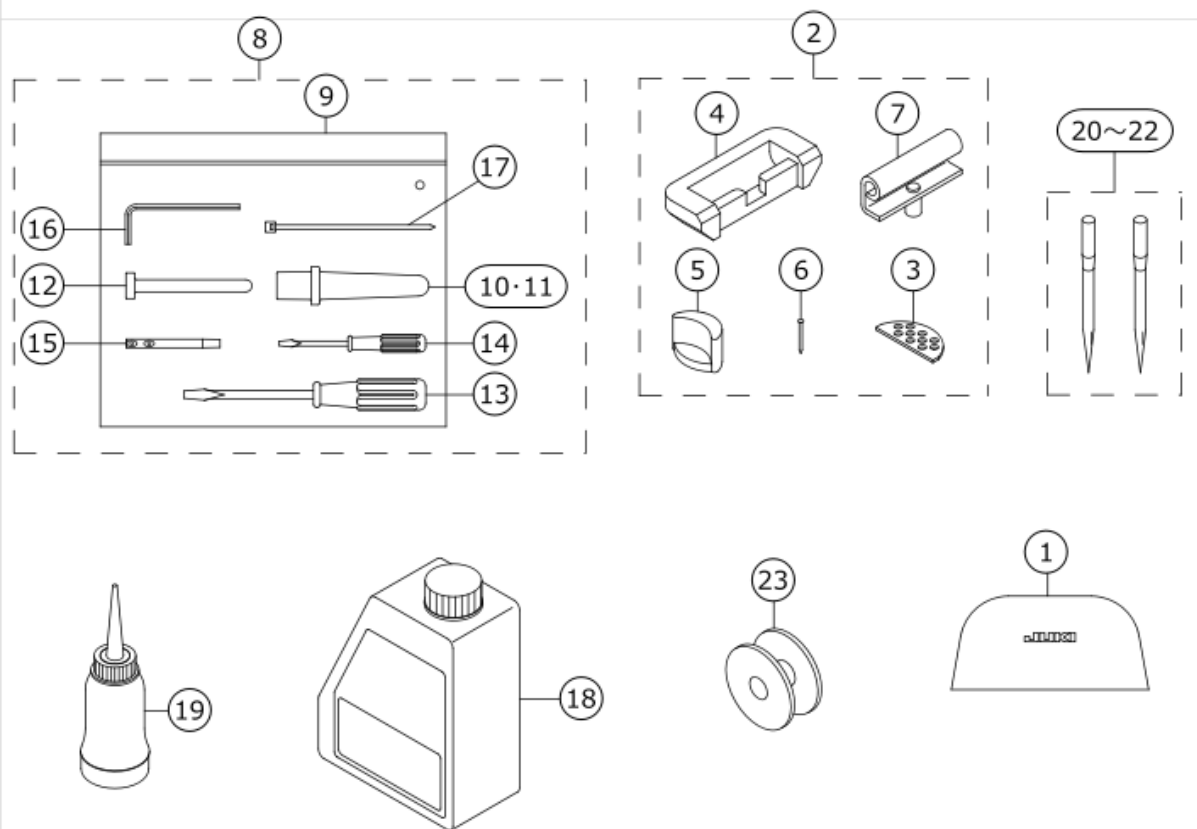
No.	品番	品名	備考	子部品	消耗品	個数
1	40108402	THRED_STAND_B				1.00
2	40085786	SPOOL REST ARM (LOWER)		*		1.00
3	40085787	SPOOL REST ARM (UPPER)		*		1.00
4	40085788	SPOOL REST		*		2.00
5	40085789	SPOOL REST CUSHION		*		2.00
6	40085790	SPOOL PIN		*		2.00
7	40085791	SPOOL RETAINER		*		2.00
8	40085794	THREAD GUIDE		*		2.00
9	40085795	THREAD GUIDE BUSHING		*		2.00
10	40096326	SPOOL REST ARM LOWER SCREW		*		1.00
11	NM6050001SE	NUT M5		*		2.00
12	40096327	SPOOL REST ARM UPPER SCREW		*		1.00
13	NM6050001SE	NUT M5		*		2.00
14	WS0510002KN	SPRING WASHER M5		*		2.00
15	WP0531001SC	WASHER M5		*		2.00
16	40108401	THREAD_STAND_A				1.00
17	40085784	SPOOL REST ROD LOWER		*		1.00
18	40085785	SPOOL REST ROD UPPER		*		1.00
19	40085792	SPOOL REST ROD JOINT		*		1.00
20	40085793	SPOOL REST ROD RUBBER CAP		*		1.00
21	40096325	SPOOL REST ROD NUT		*		1.00
22	WP1612616SE	WASHER 16X30X2.6		*		2.00
23	40085796	SPOOL REST ROD RUBBER CUSHION		*		2.00
24	SM4051405SE	SCREW M5 L=14		*		2.00
25	NM6050001SE	NUT M5		*		2.00

UNDER COVER COMPONENTS



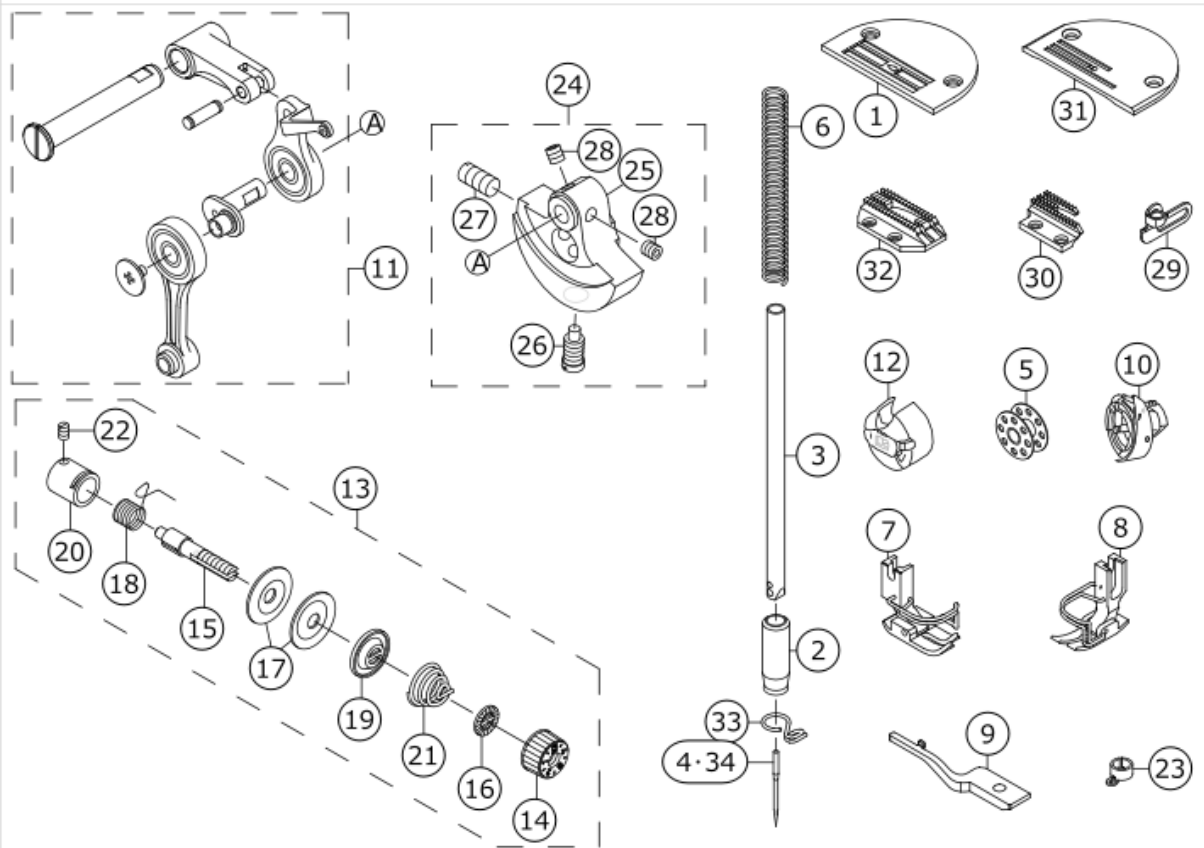
No.	品番	品名	備考	子部品	消耗品	個数
1	40062321	UNDER COVER A ASM.				1.00
2	23639008	UNDER COVER		*		1.00
3	23639156	BRACKET ASM.		*		1.00
4	23639107	BRACKET		*		1.00
5	NM6060001SE	NUT M6		*		2.00
6	SM8063012TR	SCREW M6 L=30		*		2.00
7	23639206	CONNECTING ROT		*		1.00
8	23639305	KNEE PRESS ROD		*		1.00
9	23639404	SHAFT		*		1.00
10	23639503	SPRING		*		1.00
11	23639602	CONNECTING ROD		*		1.00
12	B1116210D00	FRAME SUPPORT RUBBER		*		4.00
13	22932453	BRACKET ASM.		*		1.00
14	22932404	BRACKET		*		1.00
15	22934707	SCREW		*		2.00
16	NS6150310SP	NUT 15/64-28		*		2.00
17	RE1000000K0	E-RING 10		*		2.00
18	RE1000000K0	E-RING 10		*		1.00
19	SD0720331SP	HINGE SCREW D=7.24 H=3.3		*		2.00
20	SM9061853SR	SCREW M6 L=17.5		*		1.00
21	SM9061853SR	SCREW M6 L=17.5		*		1.00
22	WP0650876SD	WASHER 6.5X13X0.8		*		2.00
23	22934251	KNEE PAD PLATE ASM.				1.00
24	22934202	KNEE PAD PLATE		*		1.00
25	22934301	KNEE PAD PLATE SUPPORT		*		1.00
26	22934400	KNEE PAD PLATE RUBBER		*		1.00
27	22934509	KNEE PAD PLATE COVER		*		1.00
28	22934608	KNEE PAD UPRIGHT SHAFT		*		1.00
29	SM9061203SE	SCREW M6 L=12		*		1.00

ACCESSORIE PART COMPONENTS



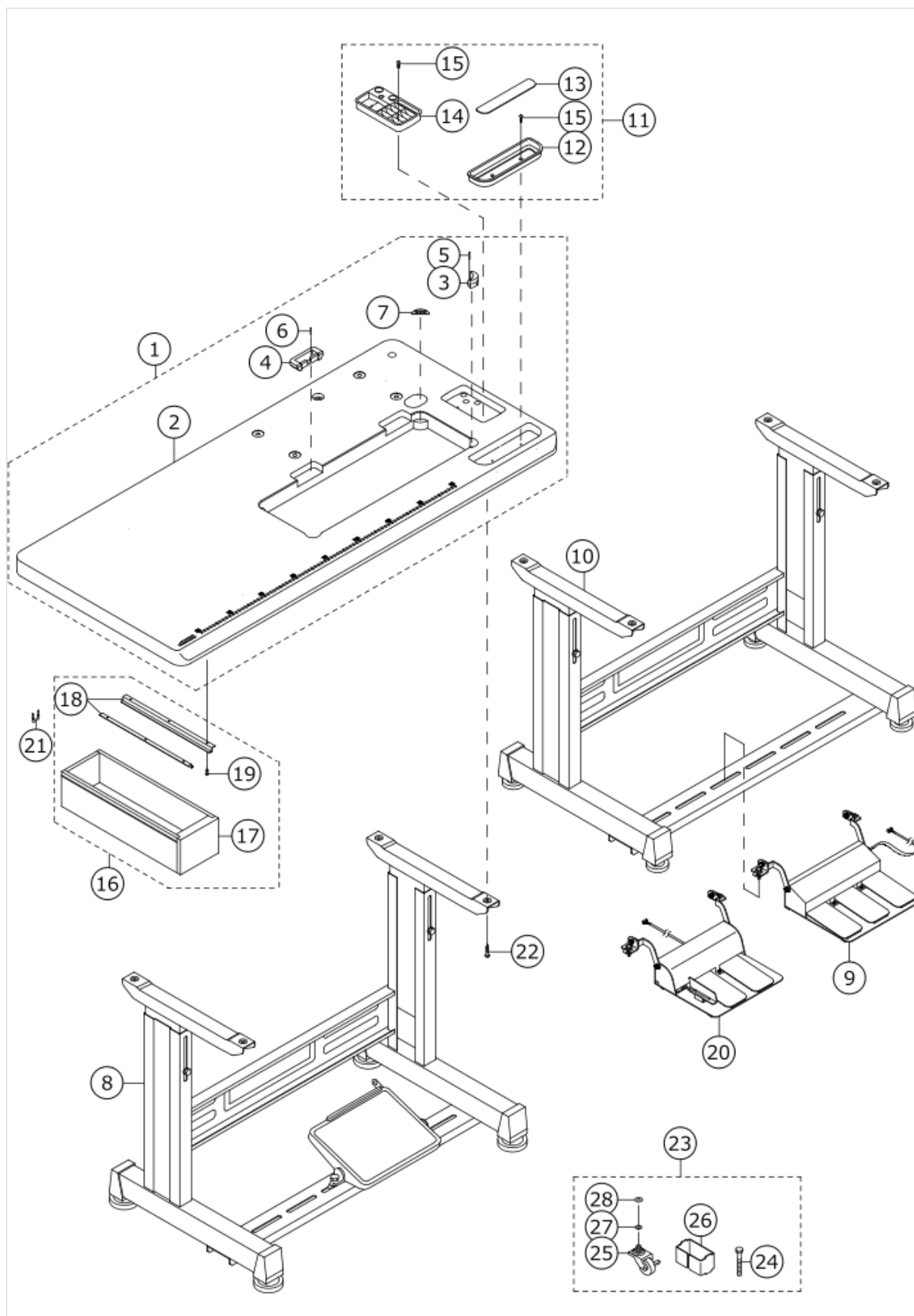
No.	品番	品名	備考	子部品	消耗品	個数
1	40135803	HEAD COVER				1.00
2	22958052	RUBBER HINGE ASM.				1.00
3	22926505	WASHER		*		2.00
4	22926000	RUBBER CUSHION		*		2.00
5	22958003	FRAME BUBBER CUSHION		*		2.00
6	22926208	NAIL		*		8.00
7	22926356	HINGE COMPL.		*		2.00
8	40089663	ACCESSORIE BAG ASM.				1.00
9	22932800	ACCESSORIE BAG		*		1.00
10	22931604	FRAME SUPPORT BAR		*		1.00
11	40174570	HEAD_SUPPORT_ROD	FOR AK_AA/AK_GG	*		1.00
12	23639701	KNEE LIFTER PRESSER ROD		*		1.00
13	22933105	SCREW DRIVER (MIDDLE)		*		1.00
14	22933204	SCREW DRIVER (SMALL)		*		1.00
15	22502504	THREAD GUIDE BAR		*		1.00
16	40055591	HEXAGONAL WRENCH KYE		*		1.00
17	EA9500B0100	CABLE BAND		*		1.00
18	40102087	JUKI_MACHINE_OIL_7				1.00
19	B91210120A0	OILER ASM.				1.00
20	MDB100B1402	NEEDLE DBX1#14-2	FOR AA/EE			1.00
21	MDB100B1102	NEEDLE DBX1#11-2	FOR GG			1.00
22	MC200500752	134 #75-2	FOR BB			1.00
23	22964001	BOBBIN A				1.00

EXCLUSIVE PARTS DDL-9000C-SSH



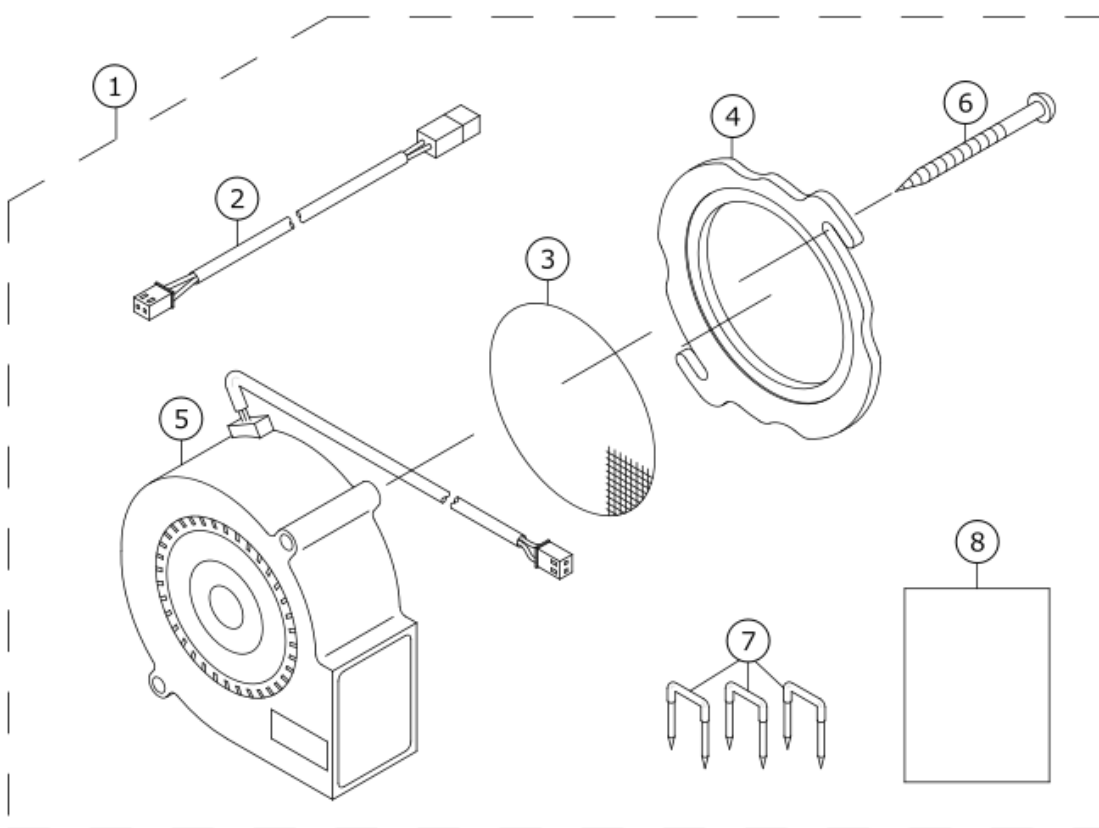
No.	品番	品名	備考	子部品	消耗品	個数
1	40089605	THROAT_PLATE_J	FOR AA/BB/EE			1.00
2	40107708	NEEDLE_BAR_METAL_LOWER_H				1.00
3	40061767	NEEDLE BAR H				1.00
4	MDB100B2100	NEEDLE DBX1 #21	FOR AA/GG/EE			1.00
5	B9117012000	BOBBIN				1.00
6	B1505552000A	PRESSER SPRING				1.00
7	D1524555EBL	PRESSER FOOT ASM.	FOR AA/BB/EE			1.00
8	40064839	PRESSER FOOT ASM.				1.00
9	40174353	INNER_HOOK HOLDER_H				1.00
10	11092251	LUBRICATING HOOK ASM.				1.00
11	40191118	THREAD_TAKE_UP_COMP_H				1.00
12	40000264	BOBBIN CASE ASM.				1.00
13	40037313	THREAD TENSION DISK ASM. H				1.00
14	23626005	THREAD TENSION NUT		*		1.00
15	B3115552000	TENSION POST		*		1.00
16	B3120125000	ROTATING STOPPER		*		1.00
17	B3126012000	THREAD TENSION DISK		*		2.00
18	B3128012000	TAKE-UP SPRING		*		1.00
19	B3132552000	THREAD TENSION DISK PRESSER		*		1.00
20	40024845	TENSION POST SOCKET ASM.		*		1.00
21	B3114232000	THREAD TENSION SPRING		*		1.00
22	SS8090670SP	SCREW 9/64-40 L=5.5		*		1.00
23	40024124	NEEDLE BAR THREAD GUIDE				1.00
24	40191126	ASSY_COUNTER WEIGHT_H				1.00
25	40191127	COUNTER_WEIGHT_H		*		1.00
26	40004171	COUNTER_WEIGHT_SCREW		*		1.00
27	SM8081652TP	SCREW M8 L=16		*		1.00
28	SM80606A2TP	SCREW M6 L=6		*		2.00
29	40063697	ARM THREAD GUIDE A H				1.00
30	11062601	FEED DOG	FOR GG			1.00
31	11062007	THROAT PLATE A	FOR GG			1.00
32	11403003	FEED J	FOR AA/BB/EE			1.00
33	40023223	NEEDLE BAR THREAD GUIDE				1.00
34	MC200501300	NEEDLE 134 NM130	FOR BB			1.00

TABLE & STAND COMPONENTS



No.	品番	品名	備考	子部品	消耗品	個数
1	40174410	TABLE ASM.				1.00
2	40172421	TABLE		*		1.00
3	11075900	RUBBER SPACER		*		2.00
4	11075801	RUBBER SPACER		*		2.00
5	B8210012000	CUSHION SET NAIL		*		4.00
6	B8210012000	CUSHION SET NAIL		*		4.00
7	D8226555E00	FRAME RUBBER CUSHION A		*		2.00
8	11157567	T LEG JUNCTION	FOR JT-D950			1.00
9	GPK700010A0	3-JOINT PEDAL 70	FOR JT-D95A/-D95B			1.00
10	11157559	T-STAND ASM.	FOR JT-D95A/-D95B			1.00
11	11155769	SMALL CASTINGS BOX B ASM.				1.00
12	11156007	CASE		*		1.00
13	11155801	CASE MAGNET		*		1.00
14	11155751	CASE ASM. B		*		1.00
15	SK3382001SC	WOOD SCREW D=3.8 L=20		*		4.00
16	11155157	DRAWER ASM.				1.00
17	11155108	DRAWER		*		1.00
18	11155207	DRAWER SUPPORT		*		2.00
19	SK3311600SE	WOOD SCREW D=3.1 L=16		*		6.00
20	GPK710010A0	2-PEDAL ASM. 71	FOR JT-D95A/-D95B			1.00
21	D8204555D00	DRAWER STOPPER				1.00
22	SK3513200SC	WOOD SCREW D=5.1 L=32				4.00
23	11159456	CASTER ASM.	OPTIONAL PARTS			1.00
24	SM9086523SE	HEXAGONAL BOLT		*		2.00
25	11159407	CASTER		*		4.00
26	11159506	STRUT AUXILIARY PLATE		*		2.00
27	WS0861410KR	SPRING WASHER 8.6X15X1.4		*		2.00
28	WP0871602SE	WASHER 8.7X18X1.6		*		2.00

SPECIAL ORDER PARTS



No.	品番	品名	備考	子部品	消耗品	個数
1	40065571	ELECTRIC FAN HOOK COOLING DEVICE				1.00
2	40044065	FAN_RELAY_CABLE		*		1.00
3	40064805	FAN FILTER		*		1.00
4	40064806	FAN COOLING COVER		*		1.00
5	40065564	FAN MOTOR ASSY		*		1.00
6	SK3415001SE	SCREW D=4.1 L=50		*		2.00
7	MAO11532000	CORD STAPLE		*		3.00
8	40065572	HOOK COOLING DEVICE INSTRUCTION MANUAL		*		1.00

HOW TO MAKE USE OF THIS PARTS LIST